



**REEL TECH**  
**LIFTS**  
FOR LIGHTING  
**ADVERTISING**  
**DECORATION**  
**2021**



# REFERENCES



Central Railway Station, Vienna, **AUT**



Shopping Mall Riviera, Gdynia, **PL**



School of Economics Warsaw, **PL**

**REEL TECH Lighting Lifts**, make maintaining your luminaires easy and efficient.

**REEL TECH** Lighting Lifts are used to maintain, retrofit luminaires, banners or cameras in a safe, simple and economical manner. Luminaires can be repaired, re-lamped or cleaned at the push of a button at ground level. No need for specialized equipment or personnel.

The Lifts are also suitable for **advertising banners** and **decorative displays**, recommended for shopping malls, exhibition halls and other public buildings. Simply exchange your material with minimum fuss and disruption.



Bundeshaus Bern, **CH**



Brewery Forst, Algund, **IT**

# CONTENT

## 01 Technical Information

The correct choice.....	page 4
For public safety.....	page 5
Standard Lift.....	page 6
Multicontact Lift.....	page 7

## 02 Lighting -Lifts

Mini Type Standard..... (to 5 kg).....	page 8
Mini Type Multicontact..... (to 5 kg).....	page 9
Compact Type Standard..... (to 15 kg).....	page 10
Compact Type Multicontact..... (to 15 kg).....	page 11
Hook Up Type Standard..... (to 25 kg).....	page 12
Hook Up Type Multicontact..... (to 25 kg).....	page 13
Heavy Duty Type Standard..... (to 50 kg).....	page 14
Heavy Duty Type Multicontact..... (to 50 kg).....	page 15
Super Heavy Duty Type..... (to 500 kg).....	page 16
Technical Information.....	page 17

## 03 Synchronous-Lifts

.....	page 18
-------	---------

## 04 Power Zoom-Lifts

.....	page 19
-------	---------

## 05 Sensor-Lifts

• For universal Use.....	page 20
• For fire and smoke detectors.....	page 20

## 06 CCTV-Lifts

• For analogue cameras.....	page 21
• IP/PoE / CAT5.....	page 21

## 07 Remote Control

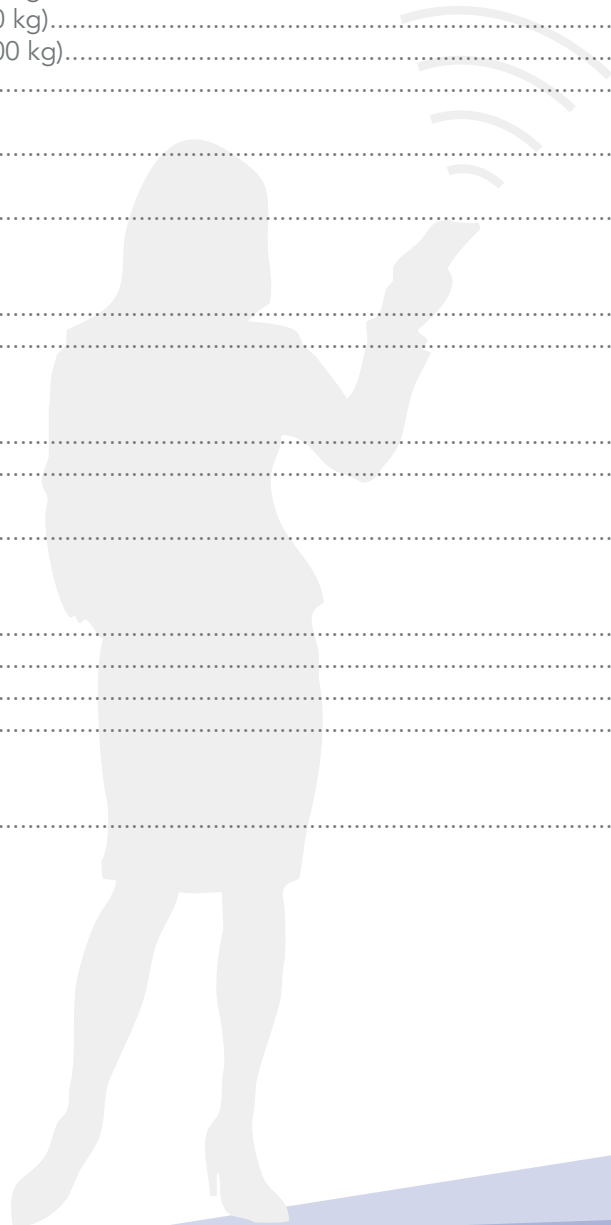
.....	page 22
-------	---------

## 08 Accessories

Outdoor housing for Compact Type.....	page 23
Mounting accessories.....	page 24
Surface cover.....	page 25
Recessed mounting plate.....	page 26

## Applications

References.....	page 2/26
-----------------	-----------





## THE CORRECT CHOICE

**REEL TECH Lighting-Lifts** are used to maintain or retrofit luminaires, CCTV cameras, fire and smoke detectors or banners in a safe, simple and economical manner. Luminaires can be repaired, relamped or cleaned at the push of a button.

**Weight** is the main criterion when selecting the appropriate lift. The weight of the luminaire plus the weight of any accessories must be taken into account. Never exceed the lifting capacity of the lift and always ensure the rated minimum load is suspended from the lift to maintain tension on the suspension cables. See specification plate of the lift for guidance.

**Lowering distance** is the second most important criterion to consider. See page 5 for the lowering distance calculation.

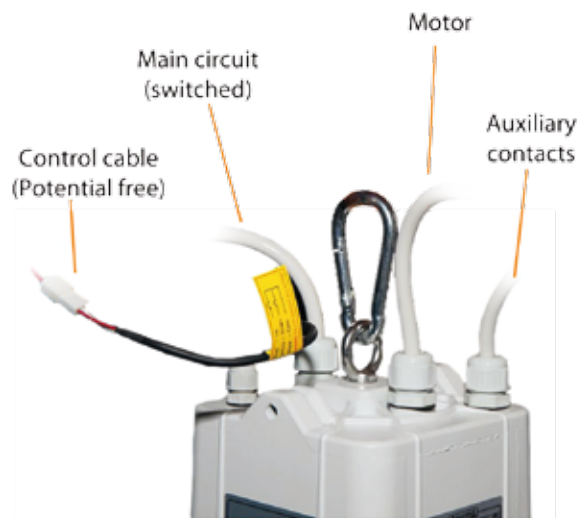
**Shape and design** of the luminaire determines if a single or double suspension wire lift is required. See page 6.

**Additional contacts** for DALI, emergency packs or similar would require a multi contact lift. In addition to the main lighting circuit four additional auxiliary contacts are provided. See page 7.

**Separate motor and lighting** supply cables on some models (see technical data on the following pages) allow dimming circuits, DALI or extra low voltage to be used independent of the motor supply.



**Useful mounting accessories** complete the range. Almost every application can be satisfied by a wide variety of fixing accessories, recessed mounting plates and surface covers. See page 23.



**Wireless control** and operation of the lift and lights can be carried out via the RCU (remote control handset) or manually via the potential free control cable. Each lift has its own integrated radio receiver with its unique address. The RCU can control up to 999 addresses and control each lift individually or in groups. The functions are up/down, stop, light on /off, to adjust the lowering distance and query function for operating hours of luminaire.

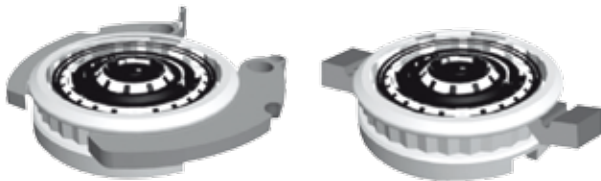
**For public protection** once the lift begins to lower all electrical connections are isolated and power to the light is switched off. The light will switch on automatically when the lift is in its operating position, signalling that the safety jaws have engaged.

# FOR PUBLIC SAFETY

**REEL TECH** Lighting-Lifts are maintenance free; and are exempted from annual inspection. Quality and product features are tested in accordance with TÜV-Austria and certified by TÜV SÜD.

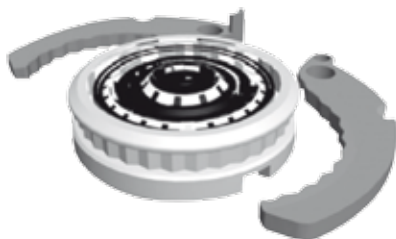


**REEL TECH** Lighting-Lifts comply with the relevant standards and building codes of practice which require two independent fixing points for suspended electrical equipment over 5kg mass in public buildings, stages and theatres.



**Safety locking** devices provide additional security when the lift is at rest. Special safety locking jaws engage to take the load off the suspension cables. The jaws remain locked even in the event of power failure and only disengage when the lift is operated.

**During operation** the lowering ring first raises approximately 3mm allowing the safety jaws to disengage and the lift to lower. When raising the reverse is true, the lowering ring raises beyond 3mm, the safety jaws engage and the lift settles down to its rest position.

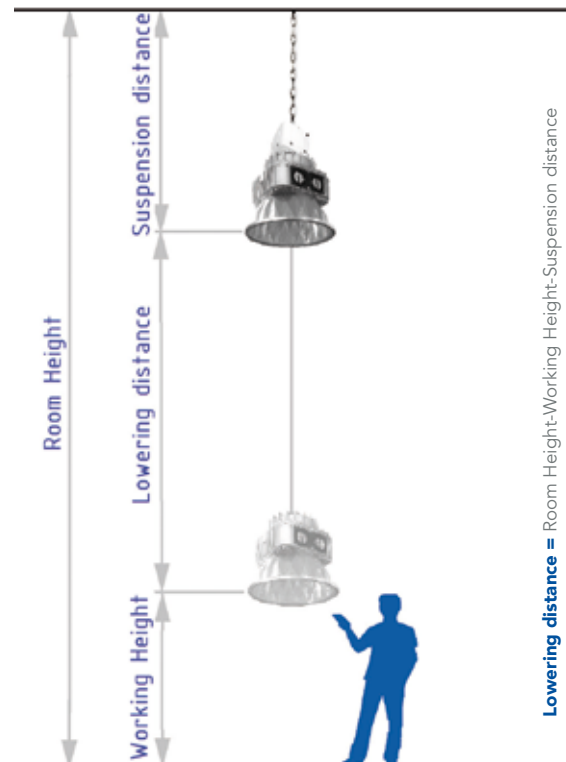


**DO NOT OPERATE THE LIFTS WITH PEOPLE STANDING OR PASSING BELOW. MAINTAIN A MINIMUM 6 METRE DIAMETER SAFETY ZONE AT ALL TIMES WHEN OPERATING A LIFT.**

**Patented 2-pole contacts** ensure reliable contact; 2-pole safely isolated before lowering

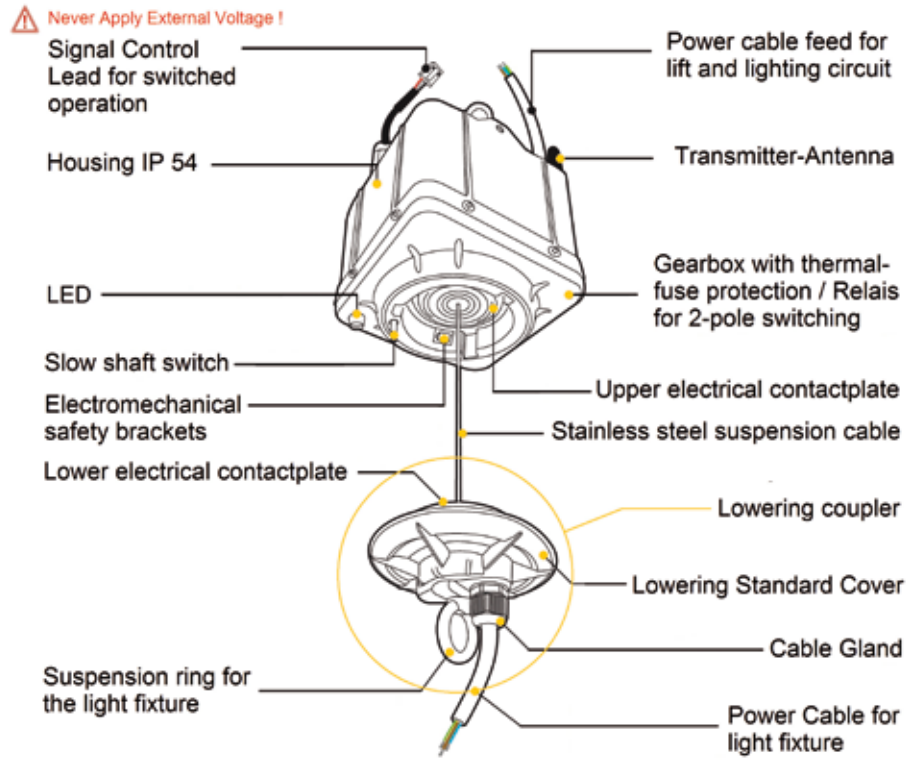


**The lowering distance** can be set and programmed to a safe and comfortable working level via the RCU. The distance can be adjusted or changed at any time during the life of the lift.

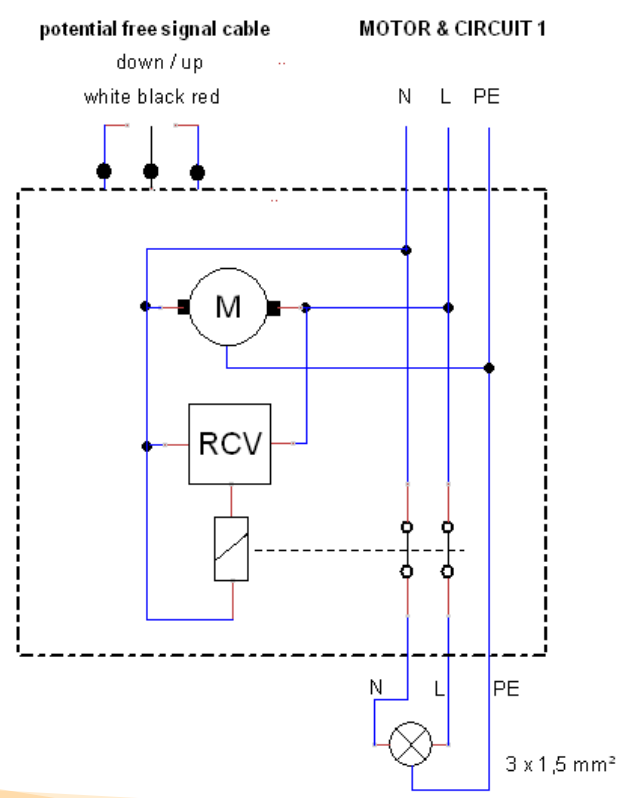


**Safety cut-off** protection activates and the lift stops if the suspension cable becomes slack or there is no minimum load on the lift.

# SETUP STANDARD LIFT



**Electrical Diagram (common supply of Motor and Lighting Circuit)**

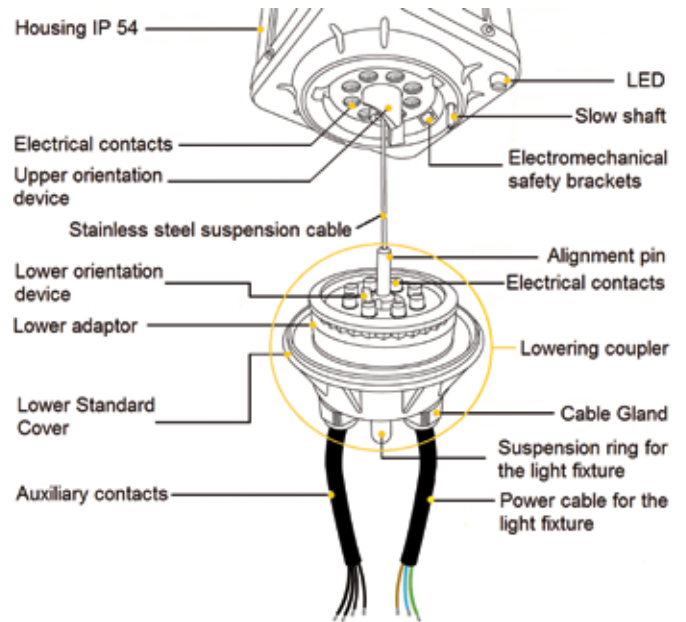


# MULTICONTACT-LIFT

Multicontact models are used with DALI, emergency packs or when other additional contacts are required. In addition to the main circuit there are 4 additional auxiliary contacts available for these signals to use.

Intelligent design and a unique locking mechanism align the contacts after each lowering operation. Double suspension cable lifts are recommended for use with linear luminaires or recessed applications. Multicontact models have a separate supply for the motor and lighting circuits.

Multicontact models with separate motor and lighting circuit make it possible to switch low voltage circuits, add a dimming circuit or an auxiliary lamp.

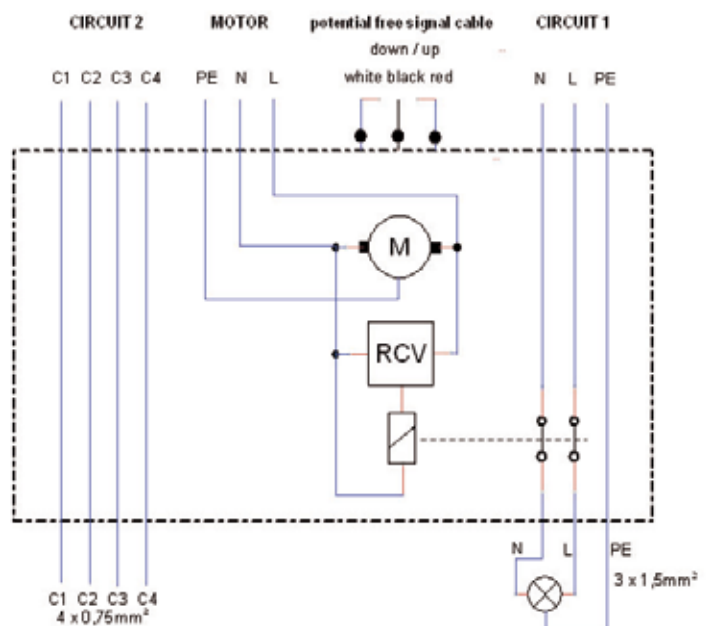


Multicontact single suspension cable



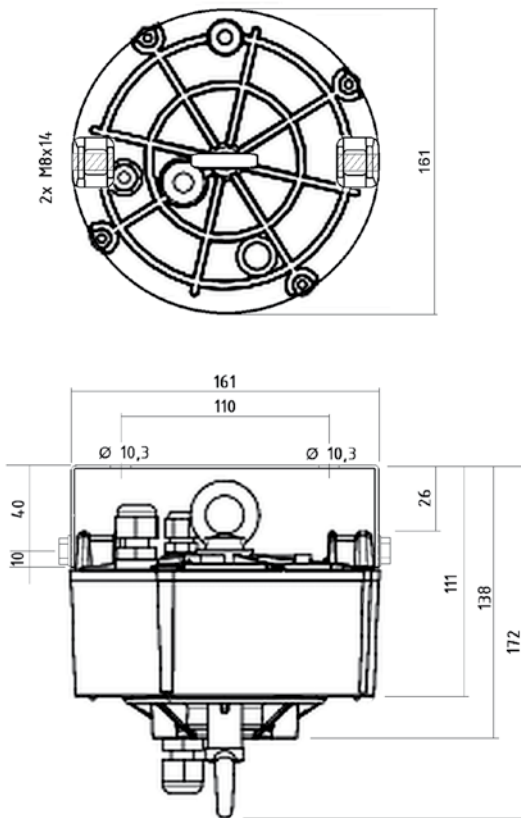
Multicontact double suspension cable

## Electrical Diagram of Multicontact Lift with separate supply of Motor and Lighting Circuit



## MINI TYPE STANDARD

Extremely compact size and easy installation makes the Mini range the preferred solution for office- and home applications for weights up to 5 kg.



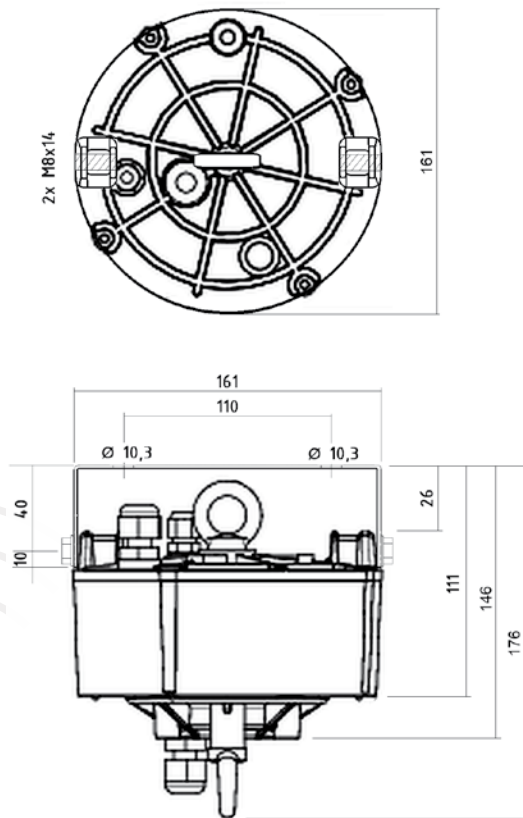
Dimensions (in mm) for:  
MSI-3, MDI-5, MDI-5M

Mini Type	MSI-3	MDI-5
Lifting capacity	1-3 kg	1-5 kg
Lowering distance	15m	7m
Suspension cable	single	double
Motor supply and lighting circuit	common	common
Power supply motor	100 - 277 V AC / 50 - 60 Hz; 25W	
Lighting circuit	16A, 230V AC	16A, 230V AC
Auxiliary contacts / capacity	-	-
Protection category / class	IP 54 / I	IP 54 / I
Temperature range	-15 °C to + 60 °C	-15 °C to + 60 °C
Net weight / with packaging	2,2 / 2,4 kg	2,2 / 2,4 kg



# MINI TYPE MULTICONTACT

When additional auxiliary contacts are required for DALI, emergency packs or other circuits the Mini multi-contact version is ideal for loads up to 5kg.

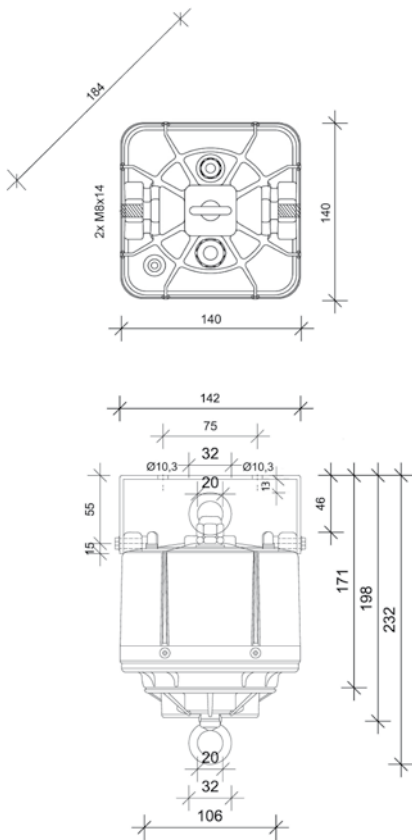


Dimensions (in mm) for:  
MSI-3M

Mini Type	MSI-3M	MDI-5M
Lifting capacity	1-3 kg	1-5 kg
Lowering distance	15m	7m
Suspension cable	single	double
Motor supply and lighting circuit	common	common
Power supply motor	100 - 277 V AC / 50 - 60 Hz; 25W	
Lighting circuit	16A, 230V AC	16A, 230V AC
Auxiliary contacts / capacity	4/6A, 230V AC	4/6A, 230V AC
Protection category / class	IP 54 / I	IP 54 / I
Temperature range	-15 °C to + 60 °C	-15 °C to + 60 °C
Net weight / with packaging	2,5 / 2,7 kg	2,5 / 2,7 kg

## COMPACT TYPE STANDARD

Compact size and easy installation makes the Compact range the preferred solution for standard applications such as highbays, lowbays, downlights and fluorescents weighing up to 15 kg.

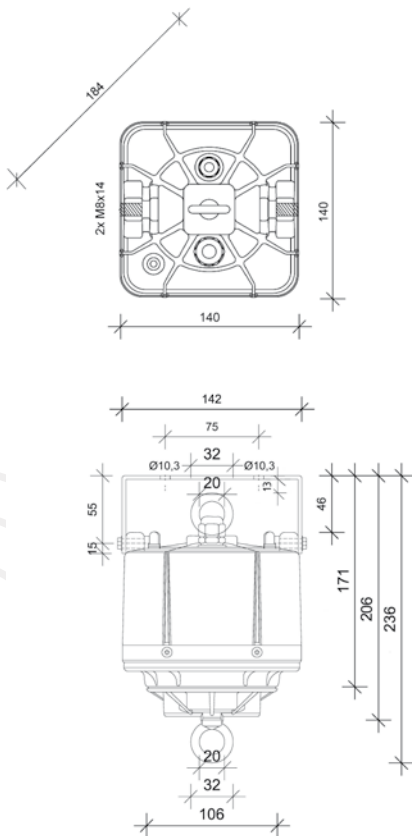


Dimensions (in mm) for:  
CSI-12, CDI-15, CDI-15 M

Compact Type	CSI-12	CDI-15
Lifting capacity	3-10 kg	3-15 kg
Lowering distance	15m	10m
Suspension cable	single	double
Motor supply and lighting circuit	common	common
Power supply motor	100-277V AC /50-60Hz; 30W	
Lighting circuit	16A, 230V AC	16A, 230V AC
Auxiliary contacts / capacity	-	-
Protection category / class	IP 54 / I	IP 54 / I
Temperature range	-15 °C to + 60 °C	-15 °C to + 60 °C
Net weight / with packaging	3,2 / 3,4 kg	3,3 / 3,5 kg

# COMPACT TYPE MULTICONTACT

When additional auxiliary contacts are required for DALI, emergency packs or other circuits the Compact multi-contact version is ideal. Separate power supplies for the motor, main lamp and auxiliary contacts offer flexibility and dimming facility for loads up to 15kg.

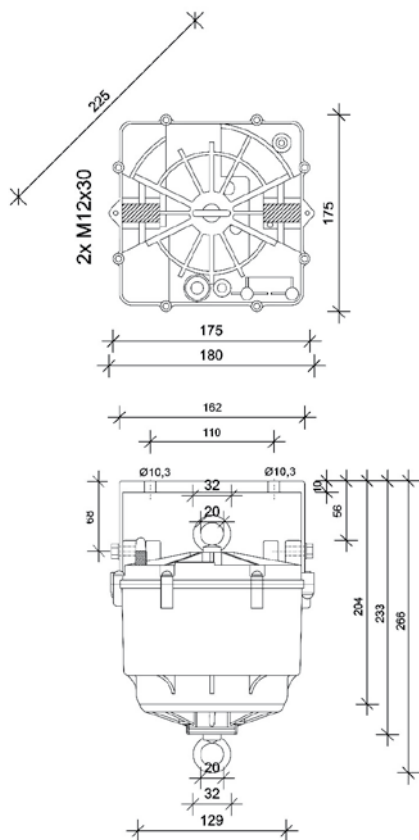


Dimensions (in mm) for:  
CSI-12 M

Compact Type	CSI-12 M	CDI-15 M
Lifting capacity	3-7 kg	3-15 kg
Lowering distance	15m	10m
Suspension cable	single	double
Motor supply and lighting circuit	separate	separate
Power supply motor	100-277V AC /50-60Hz; 30W	
Lighting circuit	16A, 230V AC	16A, 230V AC
Auxiliary contacts / capacity	4/6A, 230V AC	4/6A, 230V AC
Protection category / class	IP 54 / I	IP 54 / I
Temperature range	-15 °C to + 60 °C	-15 °C to + 60 °C
Net weight / with packaging	3,5 / 3,9 kg	3,5 / 3,9 kg

# HOOK UP TYPE STANDARD

The Hook Up family is an economical solution for loads of up to 25kg, 10m in height. Double suspension cables provide stability and avoid rotation of the luminaire where directional lighting is required.



Dimensions (in mm) for:  
HDI-25

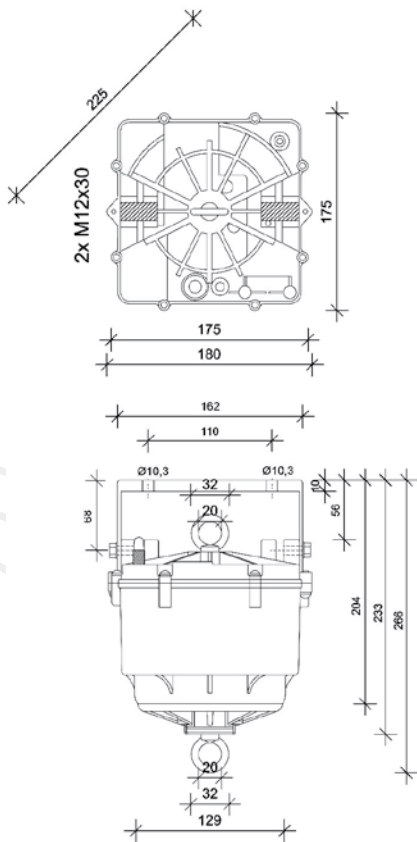


Hook Up Type	HDI-25
Lifting capacity	6-25 kg
Lowering distance	10m
Suspension cable	double
Motor supply and lighting circuit	common
Power supply motor	230V AC / 50Hz; 40W
Lighting circuit	16A, 230V AC
Auxiliary contacts / capacity	-
Protection category / class	IP 54 / I
Temperature range	-15 °C to + 60 °C
Net weight / with packaging	6,8 / 7,4 kg



# HOOK UP TYPE MULTICONTACT

When additional auxiliary contacts are required for DALI, emergency packs or other circuits the Hook Up multi-contact version is ideal. Separate power supplies for the motor, main lamp and auxiliary contacts offer flexibility and dimming facility for loads up to 25kg.



Dimensions (in mm) for:  
HDI-25 M



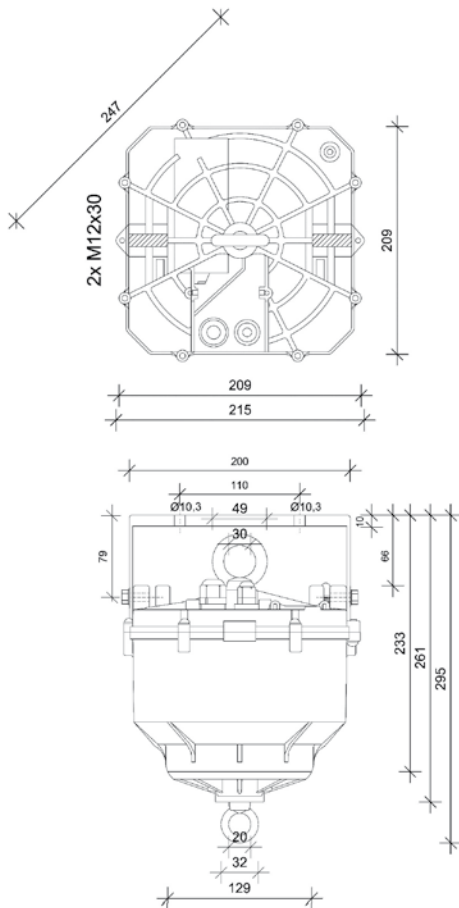
## Hook Up Type

## HDI-25 M

Lifting capacity	6-25 kg
Lowering distance	10m
Suspension cable	double
Motor supply and lighting circuit	separate
Power supply motor	230V AC / 50Hz; 40W
Lighting circuit	16A, 230V AC
Auxiliary contacts / capacity	4 / 6A, 230V AC
Protection category / class	IP 54 / I
Temperature range	-15 °C to + 60 °C
Net weight / with packaging	7,0 / 7,6 kg

## HEAVY DUTY TYPE STANDARD

Heavy duty lifts range from 20kg to 50kg with mounting heights ranging from 10m to 20m offering wider flexibility.

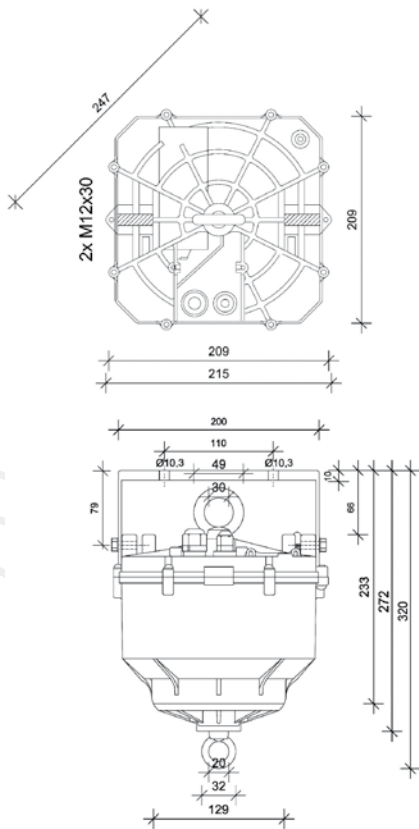
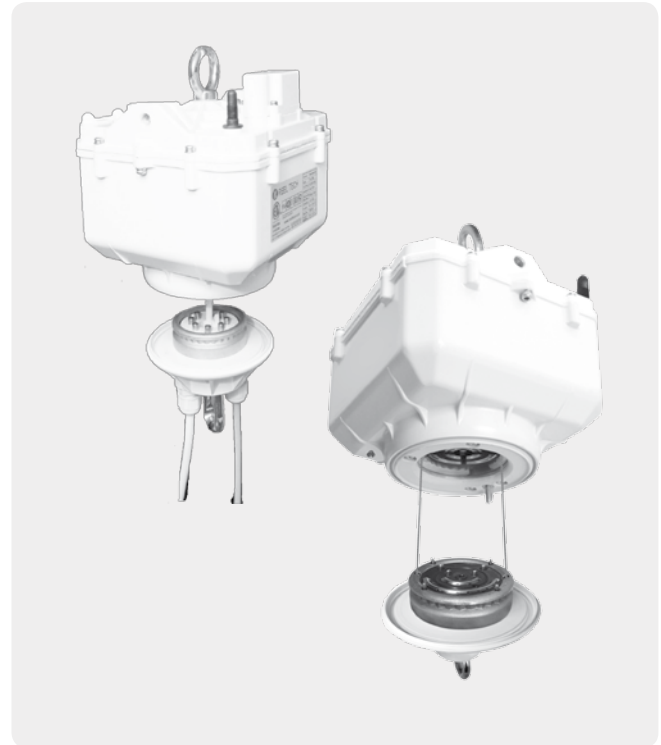


Dimensions (in mm) for:  
PSI-20, PSI-30, PDI-35,  
PDI-50, PDI-35 M, PDI-50 M

Heavy Duty Type	PSI-20	PSI-30	PDI-35	PDI-50
Lifting capacity	4-20 kg	4-30 kg	8-35 kg	8-50 kg
Lowering distance	20m	15m	10m	10m
Suspension cable	single	single	double	double
Motor supply and lighting circuit	common	common	common	common
Power supply motor	230V AC/ 50Hz; 120W			
Lighting circuit	16A, 230V AC			
Auxiliary contacts / capacity	-	-	-	-
Protection category / class	IP 54/ I	IP 54/ I	IP 54/ I	IP 54/ I
Temperature range	-15 °C to + 60 °C			
Net weight / with packaging	8,7 /9,9 kg	8,7 /9,9 kg	8,7 /9,9 kg	9,5 /10,7 kg

# HEAVY DUTY TYPE MULTICONTACT

When additional auxiliary contacts are required for DALI, emergency packs or other circuits the Hook Up multi-contact version is ideal. Separate power supplies for the motor, main lamp and auxiliary contacts offer flexibility and dimming facility for loads up to 50kg.



Dimensions (in mm) for:  
PSI-20 M, PSI-30 M

Heavy Duty Type	PSI-20 M	PSI-30 M	PDI-35 M	PDI-50 M
Lifting capacity	4-20 kg	4-30 kg	8-35 kg	8-50 kg
Lowering distance	20m	15m	10m	10m
Suspension cable	single	single	double	double
Motor supply and lighting circuit	separate	separate	separate	separate
Power supply motor	230V AC / 50Hz; 120W			
Lighting circuit	16A, 230V AC			
Auxiliary contacts / capacity	4/6A, 230V AC		4/6A, 230V AC	
Protection category / class	IP 54/ I	IP 54/ I	IP 54/ I	IP 54/ I
Temperature range	-15 °C to + 60 °C			
Net weight / with packaging	8,7 /9,9 kg	8,7 /9,9 kg	8,7 /9,9 kg	9,5 /10,7 kg

## SUPER HEAVY DUTY TYPE

For loads over 50kg and up to 30m high the Super Heavy Duty series are used. This range is characterized by its quietness and a robust technology. Drive and control procedures are carried out in duplicate using two motors.

Two double cable guides result in an extremely precise and reliable non rotating 4-fold suspension. The operating speed has been adjusted so that acceleration and applied forces during lifting and lowering are kept extremely low, making it ideal for sensitive loads like chandeliers. (Dynamic coefficient)

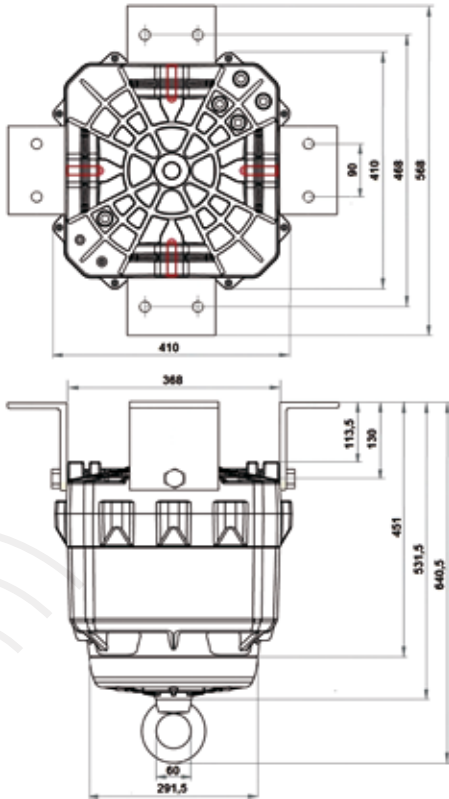


Super Heavy Duty Type	PFI-100	PFI-200	PFI-300	PFI-500
Lifting capacity	50-100 kg	60-200 kg	100-300 kg	100-500 kg
Lowering distance	20 m / 30m	20m	20m	15m
Suspension cable	2 x double	2 x double	2 x double	2 x double
Motor supply and lighting circuit	separate	separate	separate	separate
Power supply motor	230V AC/ 50Hz; 300W		230V AC/ 50Hz; 400W	
Circuits switched / capacity	2/16A, 230V AC			
Auxiliary contacts / capacity	4/16A 230V AC			
Protection category / class	IP 54/ I	IP 54/ I	IP 54/ I	IP 54/ I
Temperature range	-15 °C to + 60 °C			
Net weight / with packaging	60/ 64 kg	60/ 64 kg	66/ 70 kg	69/ 73 kg



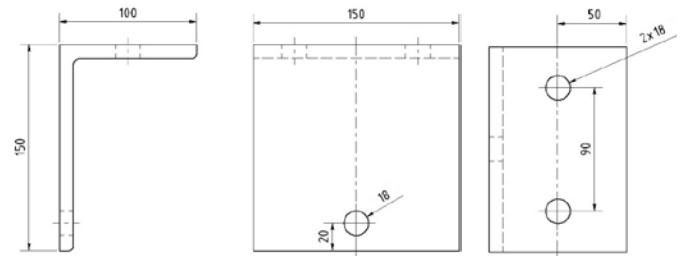
# TECHNICAL INFORMATION

The Super Heavy Duty series has two separate two pole lighting circuits. Each of which can be used for a power supply for lighting circuits and four auxiliary contacts. The motor and lighting circuits have their own supply cables to allow individual circuit protection.

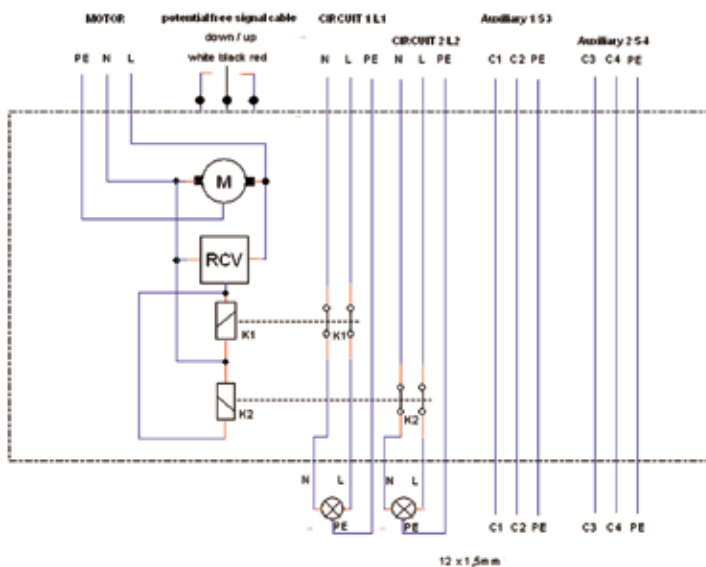


### Mounting kit MB-D

For Super Heavy Duty type, consists of 4 x 150 x 100 x 150 x 10 mm; angle brackets 4 M16 x 30mm bolts



Dimensions (in mm):



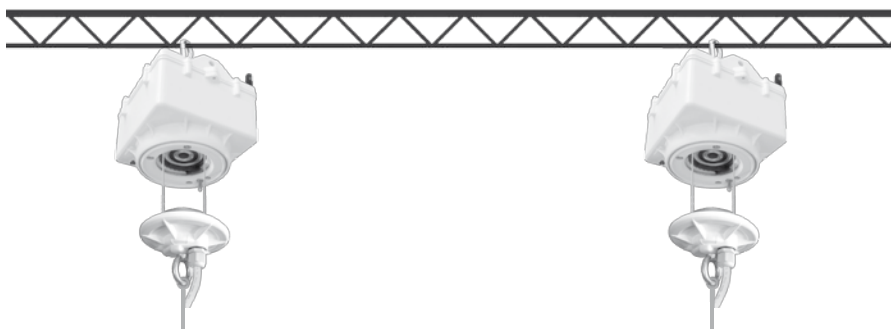
### WR PFI dummy weight holder

WR PFI holds 5 x 20 kg dumbbell weights. 170mm ø x 340mm height, White, RAL 9010. Weights not supplied.

## SYNCHRONOUS-LIFTS

REEL TECH synchronous lifts can be used with lighting rigs, lighting tracks, displays and banners. A wireless remote control system controls two lifts, the main and sub, both are controlled in parallel via the built-in wireless receivers and RCU.

Only operate one pair at a time. If one lift is out of synch with the other automatic level adjustment can be performed, the lifts self-level after pressing stop and on next start.



The combined maximum load must not exceed 1,5 times the lifting capacity of one lift.



Ensure that the load is evenly distributed and level. The use of a suitable swivel link is recommended to prevent the suspension cables twisting together during lowering and raising.

## POWER ZOOM LIFTS

Power Zoom lowers sockets or lights from above! This is particularly useful for lowering a power supply to a low level in supermarkets, offices, laboratories, schools or seminar rooms etc.

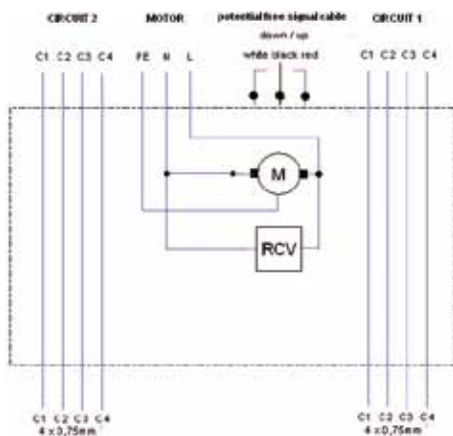
Lights up to 10kg can be lowered and still function when switched on.



Power Zoom	LSI-10C	LSI-10L
Lifting capacity	-	5-10 kg
Lowering distance	2m	2m
Suspension cable	single	single
Motor supply and lighting circuit	common	common
Power supply motor	230V AC/ 50Hz; 40W	
Lighting circuit	16A, 230V AC	16A, 230V AC
Protection category / class	IP 20/ I	IP 20/ I
Temperature range	-15 °C to + 60 °C	-15 °C to + 60 °C
Net weight / with packaging	8,5 / 10,5 kg	6,7 / 8,2 kg
Space required	min. 56 cm	min. 57 cm

## SENSOR LIFT FOR UNIVERSAL USE (CSI-12M8C)

For railway signalling applications, sensors, audio or lighting applications where more than two lines are required. It Provides 8 straight through connections.



Dimensions  
for CSI-12M8c  
see page 11



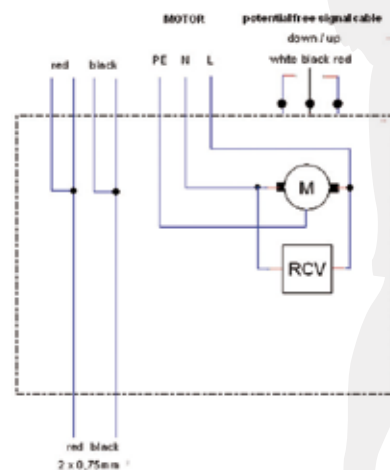
### Sensor-Lift

### CSI-12 M8c

Lifting capacity	3-12 kg
Lowering distance	15m
Suspension cable	single
Power supply motor	100 - 277 V AC / 50 - 60 Hz; 30W
Auxiliary contacts / capacity	8 / 6A, 42V (230V) AC
Protection category / class	IP 54 / I
Temperature range	-15 °C to + 60 °C
Net weight / with packaging	3,5 / 3,9 kg

## SENSOR LIFT FOR FIRE AND SMOKE DETECTORS (FSI-2)

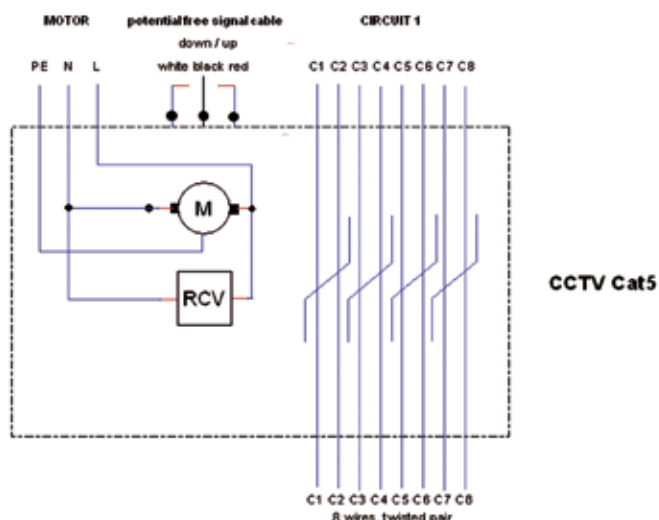
Servicing detectors at high level over machinery or other equipment can be very expensive, particularly the cost of personnel and scaffolding. With the Sensor Lift detectors can be lowered to a safe comfortable working height making access much easier.





## CCTV-LIFT FOR IP - AND ANALOGUE - CAMERAS

CCTV-Lifts deal for maintaining and cleaning of CCTV and Audio equipment. Secure contact prevents image distortion when used with CCTV systems. It meets the requirements for CAT-5 applications and PoE.



### 1 INDOOR



CCTL Lifts	MSI-1C-I	MSI-3C-I	MSI-5C-I	CSI-12C-I	CSI-12A-I
Lifting capacity	0,5-1 kg	1-3 kg	1-5 kg	3-12kg	3-12kg
Lowering distance	15 m	15 m	15 m	15 m	15 m
Suspension cable	single	single	single	single	single
Power supply motor	100-277VAC/ 50-60Hz	100-277VAC/ 50-60Hz	100-277VAC/ 50-60Hz	100-277VAC/ 50-60Hz	100-277VAC/ 50-60Hz
Temperature range	-15 °C bis + 60 °C	-15 °C bis + 60 °C	-15 °C bis + 60 °C	-15 °C bis + 60 °C	-15 °C bis + 60 °C
Camera type	IP/PoE Cat5	IP/PoE Cat5	IP/PoE Cat5	IP/PoE Cat5	analog
Protection category	IP54	IP54	IP54	IP54	IP54
Protection class	I	I	I	I	I
Motor- and CCTV power supply	separate	separate	separate	separate	separate
Dimensions	Ø186x179mm	Ø186x179mm	Ø186x179mm	140x140x236	140x140x236

### 2 OUTDOOR



CCTL Lifts	MSI-1C-O	MSI-3C-O	MSI-5C-O	CSI-12C-O	CSI-12A-O
Lifting capacity	0,5-1 kg	1-3 kg	1-5 kg	3-12kg	3-12kg
Lowering distance	15 m	15 m	15 m	15 m	15 m
Suspension cable	single	single	single	single	single
Power supply motor	100-277VAC/ 50-60Hz	100-277VAC/ 50-60Hz	100-277VAC/ 50-60Hz	100-277VAC/ 50-60Hz	100-277VAC/ 50-60Hz
Temperature range	-15 °C bis + 60 °C	-15 °C bis + 60 °C	-15 °C bis + 60 °C	-15 °C bis + 60 °C	-15 °C bis + 60 °C
Camera type	IP/PoE Cat5	IP/PoE Cat5	IP/PoE Cat5	IP/PoE Cat5	analog
Protection category	IP65	IP65	IP65	IP56	IP56
Protection class	I	I	I	I	I
Motor- and CCTV power supply	separate	separate	separate	separate	separate
Dimensions	Ø186x209mm	Ø186x209mm	Ø186x209mm	Ø190x305mm	Ø190x305mm

## REMOTE CONTROL UNIT - RCU

The **RCU / remote control** handset enables convenient control of up to 999 lifts. Individual lifts, groups of lifts or lights can be controlled by one RCU. Lifts can be assigned to 1 of 99 group functions.

**Lift functions** are up / down, stop, light on / off, single and group control. Lowering distance can also be set using the RCU.

The RCU operates in the license-free ISM band of 433.92 MHz. The range is circa 100 meters.

The RCU also allows the **hours of operations** of a luminaire to be displayed on the screen. This feature can also be used to keep a record of the operating life cycle of the luminaire.

For safety purposes the RCU is safeguarded by having its own unique code. Any lift serial numbers entered into the RCU are stored and will only operate with the lifts assigned to it. When not in use the RCU must be securely stored away to prevent unauthorised use.

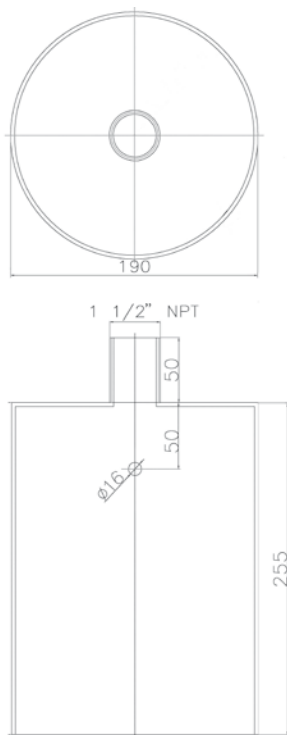


Visual contact with the lift must be maintained at all times when operating the lifts via the RCU or key switch function.

## OUTDOOR HOUSING OD-A FOR COMPACT TYPE

Provides additional protection for outdoor applications such as lighting, CCTV and IP.

The housing can accommodate all Lifts of the Compact family and is tested by TÜV Austria and certified for Protection category IP X6 (protected against "powerful water jets")



Dimensions (in mm) for:  
OD-A



Outdoor housing for other Lift Types is available on request!

Outdoor housing	OD-A
Dimension	305 x 190 mm
Material	Aluminium
Material thickness	3mm
Colour	White, RAL 9010
Protection category	IP X6

# MOUNTING ACCESSORIES

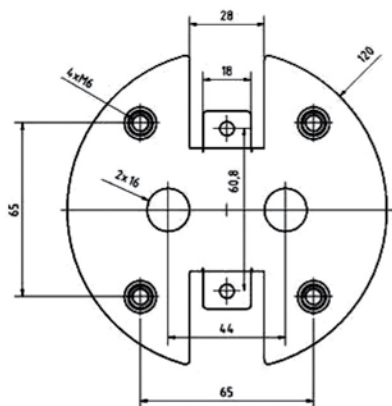
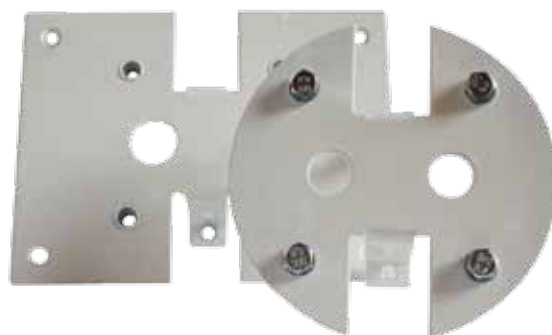
## Mounting brackets MB

Mounting brackets are used to secure the lift by two fixing points in line with building regulations. Variable mounting brackets (MB-V) allow for quick and easy height adjustment of the lift if installed behind a false ceiling.

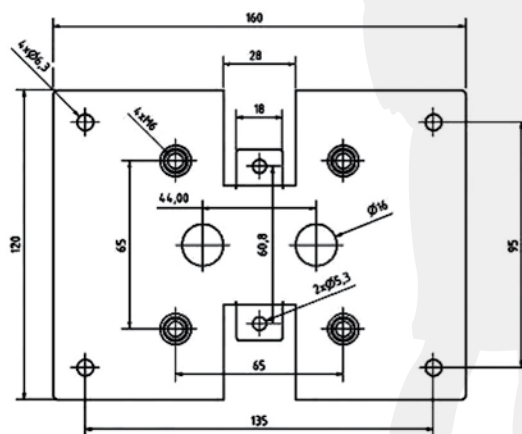
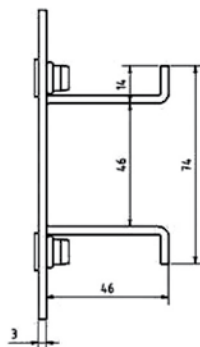


## Mounting bracket RMP and RCMP

The mounting plates are used to fit luminaires weighing up to 50kg directly to the lowering part of the Lift. They are available in round and rectangular version. White, RAL 9010.



Dimensions (in mm) for: RMP-M



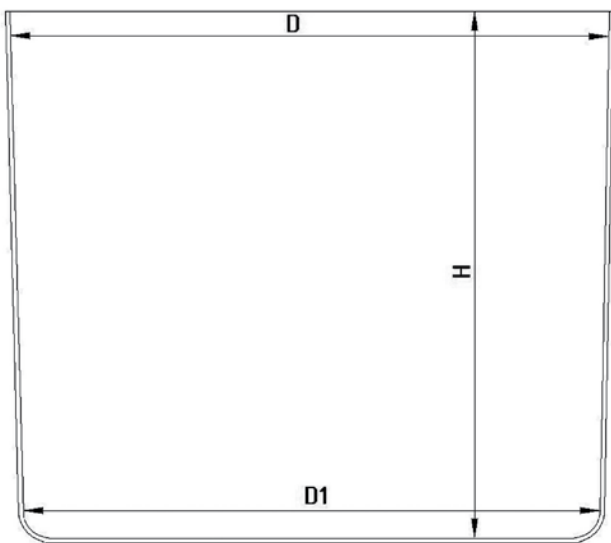
Dimensions (in mm) for: RCMP-M



# SURFACE COVER AH

The surface cover is designed to conceal the lift, mounting bracket and wiring and attaches to the lower section of the.

A gap between the top of the cover and the ceiling allows heat to dissipate.



When the luminaire is lowered for maintenance the surface cover can also be cleaned easily.

Material: Aluminium  
Standard colour: White RAL 9010

Description	Diameter D/D1	Height H	Suitable for Model	Catalogue page
AH-M	196 / 190 mm	128 mm	Mini	8 & 9
AH-A	200 / 190 mm	184 mm	Compact	10 & 11
AH-B	267 / 251 mm	213 mm	Hook Up	12 & 13
AH-C	271 / 251 mm	248 mm	Heavy Duty	14 & 15
AH-D	525 / 490 mm	524 mm	Super Heavy Duty	16 & 17

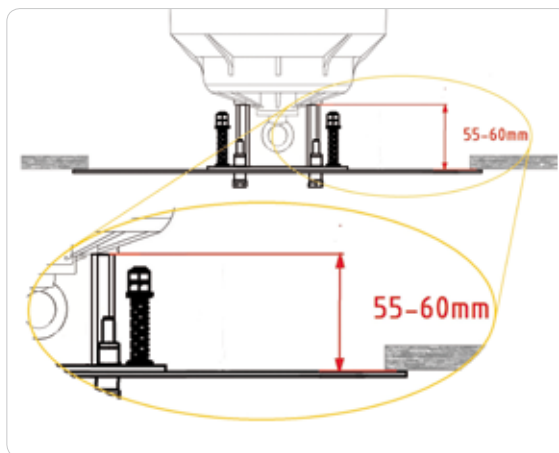
## RECESSED MOUNTING PLATE RA

If a lift is installed behind a suspended ceiling the recessed mounting plate can be used to conceal the hole cut-out, lift and wiring.

The aluminium plate is fitted with springs allowing the lifts locking mechanism to function correctly.

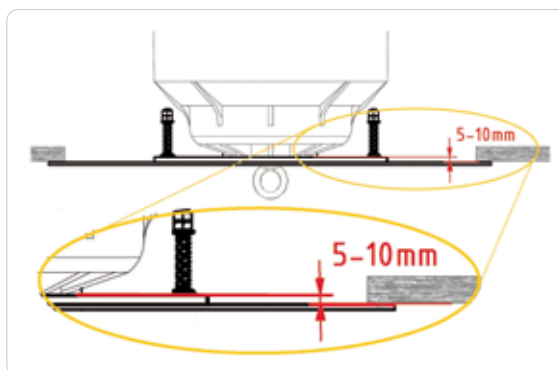
### Recessed mounting plate RA-MSS

up to 50kg, mounting pattern 65 x 65 mm, 400mm Ø x 54mm, White, RAL 9010.



### Recessed mounting plate RA-MES

up to 50kg, plate for mounting to eyebolt, 400mm Ø x 5mm, White, RAL 9010.



### Recessed mounting plate RA-D

For Super Heavy Duty Lifts, plate for mounting to eyebolt, 500mm Ø x 55mm, White, RAL 9010.

To allow the cover to operate correctly the distance between the underside of the ceiling and the lift coupler must be set correctly. Precise adjustment can be made by using the MB-V variable mounting bracket.

### Downlight mounting frame – Customized

REEL TECH Lighting-Lifts are used for a wide variety of luminaires. The scope of applications is virtually unlimited. Constantly creating new components and solutions like the recessed downlight frame REEL TECH can help find the solution.



La Tacita Country Club, Rome, **IT**



Huma Eleven, Vienna, **AUT**



ÖBB Railway Station St.Pölten, **AUT**



University Maison du Savoir, **LU**



Shopping Mall, Schönbühl, **CH**



Capuchin Church, Vienna, **AUT**

**MOVE IT  
IT'S POSSIBLE**

**Germany**

**ReelTech Vertriebs GmbH**

Berliner Straße 8  
D-61137 Schöneck

Phone +49 6187 9318 901  
Mail [office@reeltech.de](mailto:office@reeltech.de)

© Copyright by  
ReelTech Vertriebs GmbH



ReelTech Vertriebs GmbH reserves the right to make changes without notice in the specifications and materials contained herein and shall not be responsible for any damage (including consequential) caused by reliance on the materials presented, including but not limited to typographical and other errors relating to the publication.